



AKA1500

Portable Solar Generator

Akhter Computers Limited

AKA1500 Portable Solar Generator Product Introduction

AKA1500 is the new generation power backup battery pack. This item is built-in long cycle times lithium-ion power battery and adopted high strength aluminium alloys body. Its safety and reliability have been approved by our R&D team long time testing. AKA1500 has CE, RoHS, FCC certificates. It brings user's safety and comfortable experience with its unique features. AKA1500 has three ways to get power. It can be recharged either by solar panels or home electricity with provided AC adapter or by car vehicle with car charger. AKA1500 has multiple outputs. It supports any output electric devices with its dual AC output 110V or 220V which load power no more than 1500W. In addition, the AC & DC outlets support discharge while charging. AKA1500 can be used for any electric devices charging such as medical equipment, emergency relief, outdoor activities, UAV drone battery, self-drive travelling, family backup power, lighting, military etc.

Battery Type: Electric car standard lithium-ion batteries

Material: Aluminium Alloy

USB1-4 Output : 5V/3A

DC1-2 Output : 12V/10A Max

Double AC Output : 220V/4.55A/50Hz、110V/9.1A/60Hz

Load Power : 1500W (Surge Power 3000W for less than 3 seconds)

Wave Form : Pure Sine Wave

Input : 32V-65V dc/6A (AC adapter: 32V/6A max; Solar Panel: 32V-65V/6A max)

Battery Capacity : 1503.36Wh (28.8V 52.2Ah or 3.6V 4117600mAh)

Charging Period : 8 -9 H (By ac adapter)

Volume : 408*164*273MM

N.W : 14 KG

Colour : Silver / Black

Quiescent Dissipation : $\leq 200\mu A$

Battery Life 1000 times (capacity $\geq 80\%$)

Working Temperature : $-10^{\circ}C \sim 50^{\circ}C$

Working Humidity: $\leq 95\%$

Altitude: below 2000M

Multiple protections: short circuit protection, over-charge protection, over heat protection, over-discharge Protection, over-voltage protection.

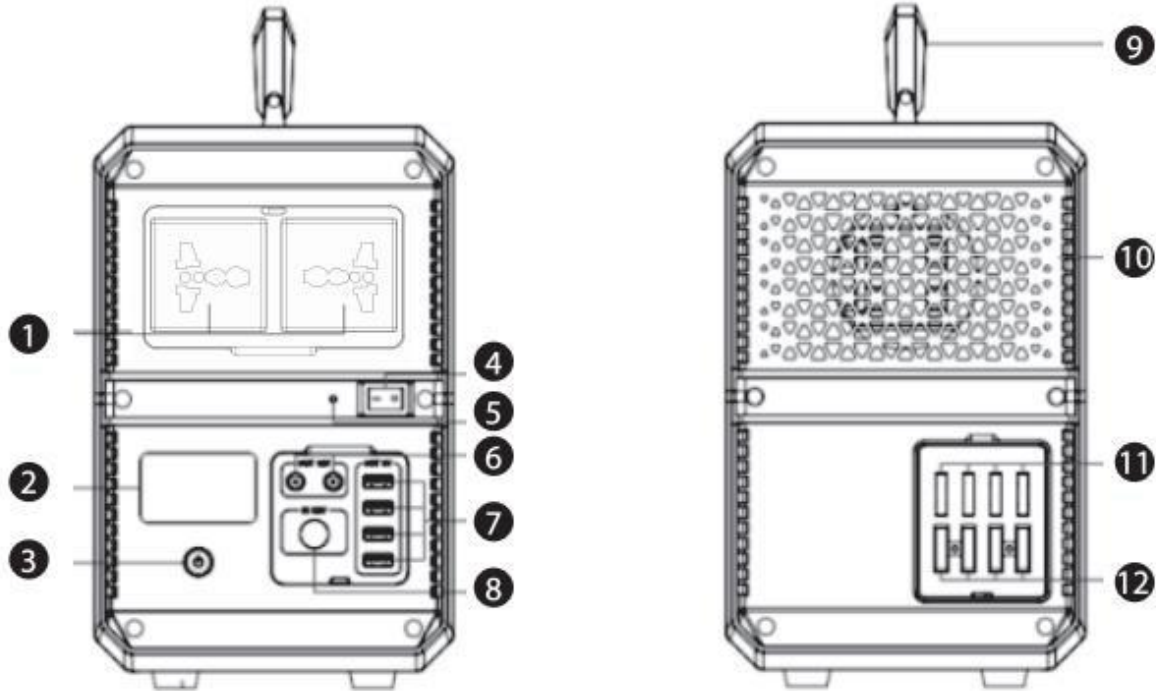
Akhter Computers Ltd

1-3 Marshgate Business Centre, Parkway, Harlow Business Park, Harlow, Essex, CM19 5QP, UK
+44 (0)1279 821200 sales@akhter.co.uk www.akhter.co.uk



AKA1500

Portable Solar Generator



1. AC output×2

2. Screen

3. DC power button

4. AC power switch

5. AC indicator

6. DC 12V output

7. USB 5V output

8. Input socket

9. Easy-carry handle

10. Cool fan

11. Spare fuse tube×4

12. Fuse tube×4

Akhter Computers Ltd

1-3 Marshgate Business Centre, Parkway, Harlow Business Park, Harlow, Essex, CM19 5QP, UK
+44 (0)1279 821200 sales@akhter.co.uk www.akhter.co.uk



AKA1500

Portable Solar Generator



Akhter Computers Ltd

1-3 Marshgate Business Centre, Parkway, Harlow Business Park, Harlow, Essex, CM19 5QP, UK
+44 (0)1279 821200 sales@akhter.co.uk www.akhter.co.uk



AKA1500 Portable Solar Generator



AC OUTPUT



electric skillet

Tablet PC



Juicer



Projector



DC OUTPUT



LED light



Car electric cooker



Car refrigerator



Car thermos cup



Cellphone



Tablet PC



Bluetooth earphone



Smart watch

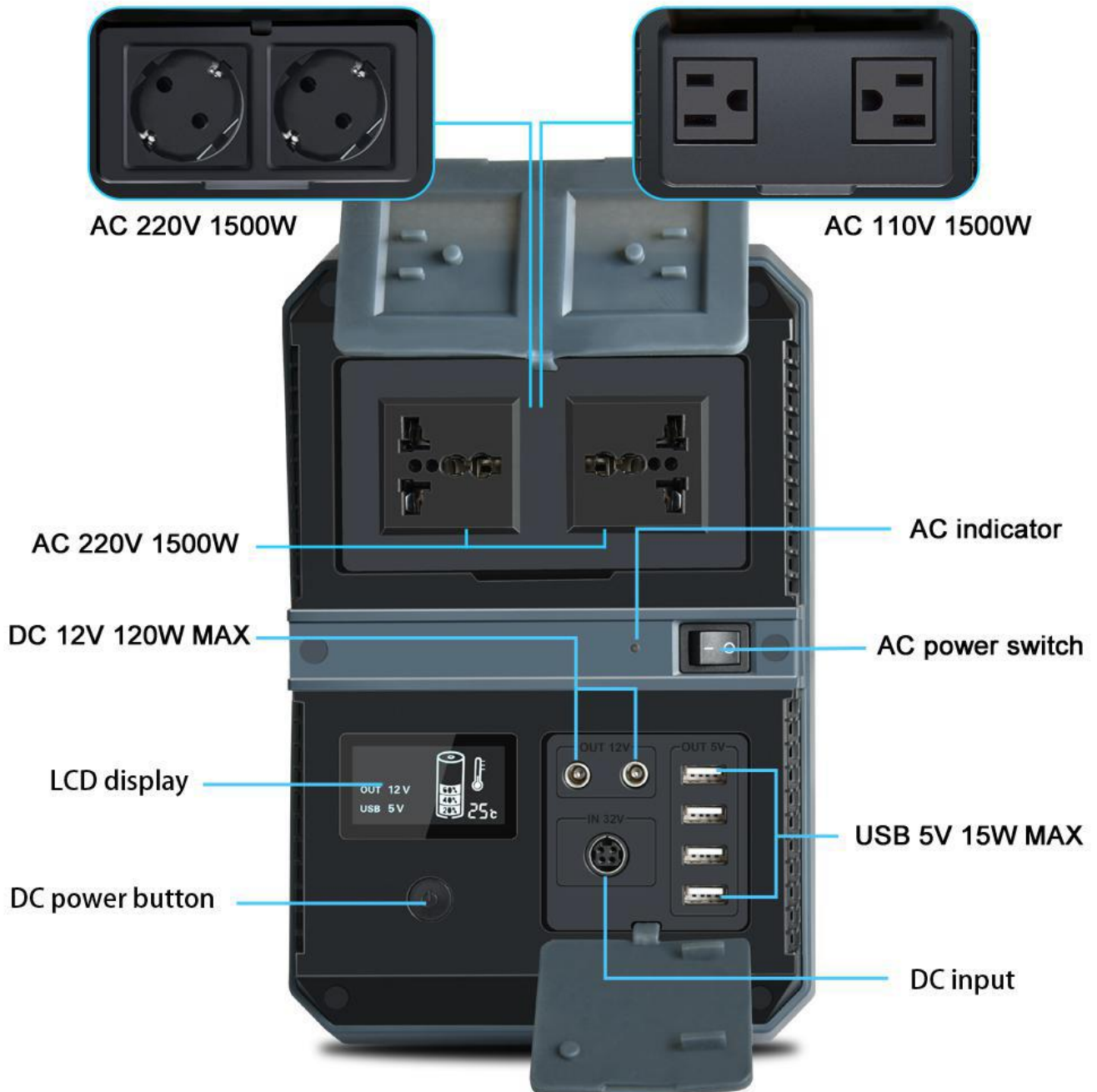
Akhter Computers Ltd

1-3 Marshgate Business Centre, Parkway, Harlow Business Park, Harlow, Essex, CM19 5QP, UK
+44 (0)1279 821200 sales@akhter.co.uk www.akhter.co.uk



AKA1500

Portable Solar Generator



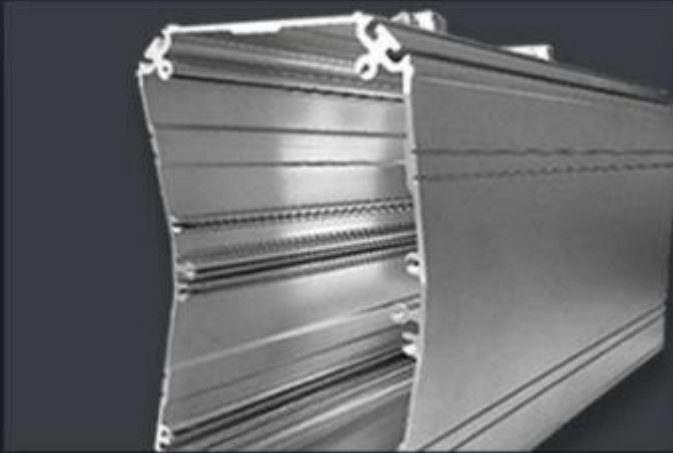
Akhter Computers Ltd

1-3 Marshgate Business Centre, Parkway, Harlow Business Park, Harlow, Essex, CM19 5QP, UK
+44 (0)1279 821200 sales@akhter.co.uk www.akhter.co.uk



AKA1500

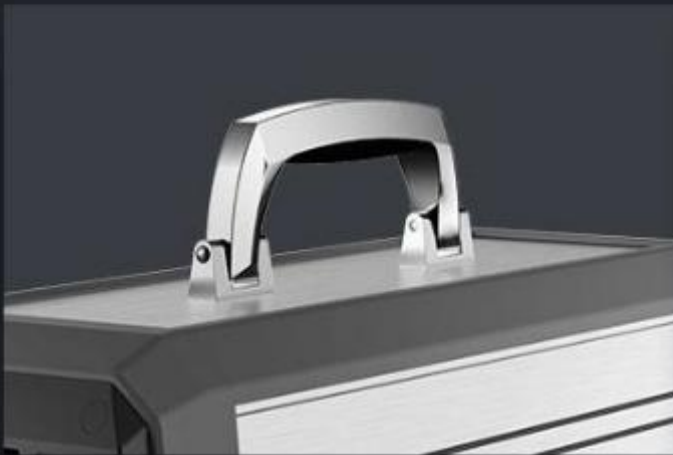
Portable Solar Generator



Durable aluminium alloy material



Dust proof cover



Strong handle



Cooling fan

Akhter Computers Ltd

1-3 Marshgate Business Centre, Parkway, Harlow Business Park, Harlow, Essex, CM19 5QP, UK
+44 (0)1279 821200 sales@akhter.co.uk www.akhter.co.uk



AKA1500

Portable Solar Generator

417600mAh

Long Cycle Electric Car Standard Lithium Batteries



Akhter Computers Ltd

1-3 Marshgate Business Centre, Parkway, Harlow Business Park, Harlow, Essex, CM19 5QP, UK
+44 (0)1279 821200 sales@akhter.co.uk www.akhter.co.uk



AKA1500

Portable Solar Generator

Multi-protection



Temperature protection



Short circuit protection



Overload protection



Over-voltage protection



Anti-protection



Over-current protection



Over-discharge protection



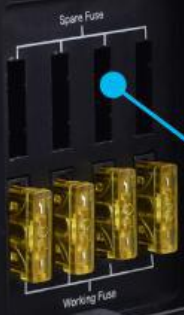
Over-charge protection

Intelligent Cooling

Fuse Protection

MODEL:SKA1500

Products Input
AC adapter: 36V = 6.0A (MAX)
Solar panel:
36V ~ 65V = 6.0A (MAX)
DC output
USB output voltage/current:
5V = 3.0A 15W (MAX)
DC output voltage/current:
12V = 10A 120W (MAX)
AC output
Continuous output:
110V 60Hz 1500W (MAX)
Peak power output: 3000W
Capacity: 28.8V 52.2Ah
Working temperature: -10°C ~ 50°C
Working humidity: ≤ 95%
Made in China



Akhter Computers Ltd

1-3 Marshgate Business Centre, Parkway, Harlow Business Park, Harlow, Essex, CM19 5QP, UK
+44 (0)1279 821200 sales@akhter.co.uk www.akhter.co.uk

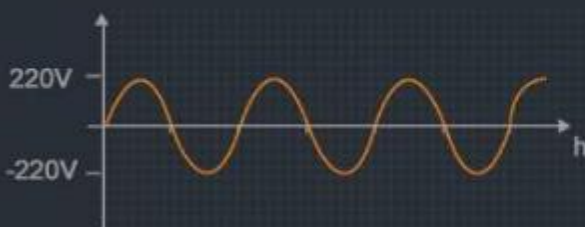


AKA1500

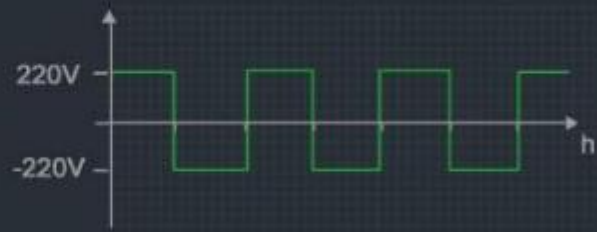
Portable Solar Generator

Pure Sine Wave AC Output

Like home electricity charging
Stable without damaging products



pure sine wave current



modified sine wave current

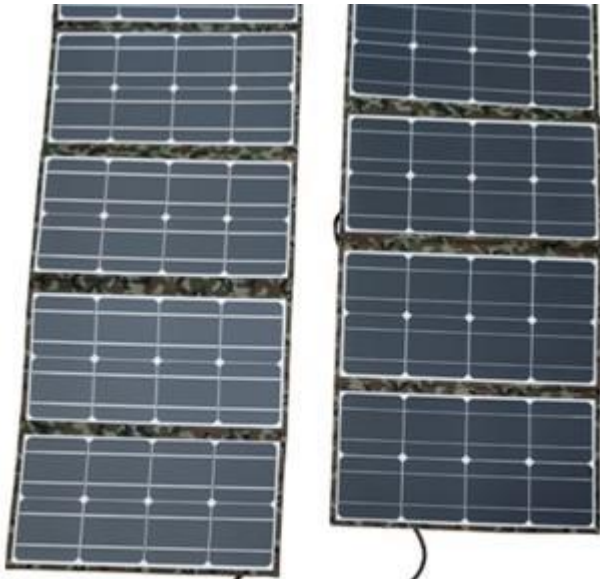


Akhter Computers Ltd

1-3 Marshgate Business Centre, Parkway, Harlow Business Park, Harlow, Essex, CM19 5QP, UK
+44 (0)1279 821200 sales@akhter.co.uk www.akhter.co.uk



AKA1500 Portable Solar Generator



Solar panels in series



Solar panel charging the AKA1500



Home electricity charging the AKA1500



Vehicle charging the AKA1500

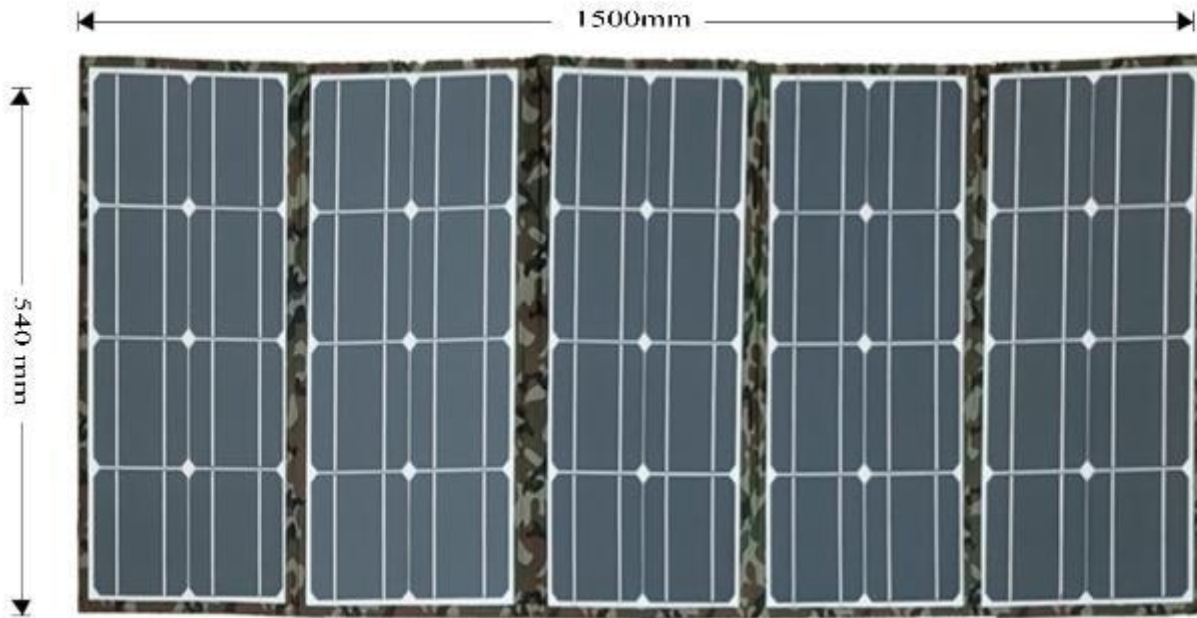
Akhter Computers Ltd

1-3 Marshgate Business Centre, Parkway, Harlow Business Park, Harlow, Essex, CM19 5QP, UK
+44 (0)1279 821200 sales@akhter.co.uk www.akhter.co.uk



AKA1500

Portable Solar Generator



Akhter Computers Ltd

1-3 Marshgate Business Centre, Parkway, Harlow Business Park, Harlow, Essex, CM19 5QP, UK
+44 (0)1279 821200 sales@akhter.co.uk www.akhter.co.uk



AKA1500 Portable Solar Generator



Akhter Computers Ltd

1-3 Marshgate Business Centre, Parkway, Harlow Business Park, Harlow, Essex, CM19 5QP, UK
+44 (0)1279 821200 sales@akhter.co.uk www.akhter.co.uk



AKA1500 Portable Solar Generator

Accessories list



Adapter 32V/8A
(Standard)



Power cable
(Standard)



Micro USB
(Standard)



5521 to Cigarette lighter
(Standard)



Fuse tube x 8
(Standard)



Instructions
(Standard)



Car charger
(Purchase Separately)



Car charging cable
(Purchase Separately)



Solar panel (Purchase Separately)